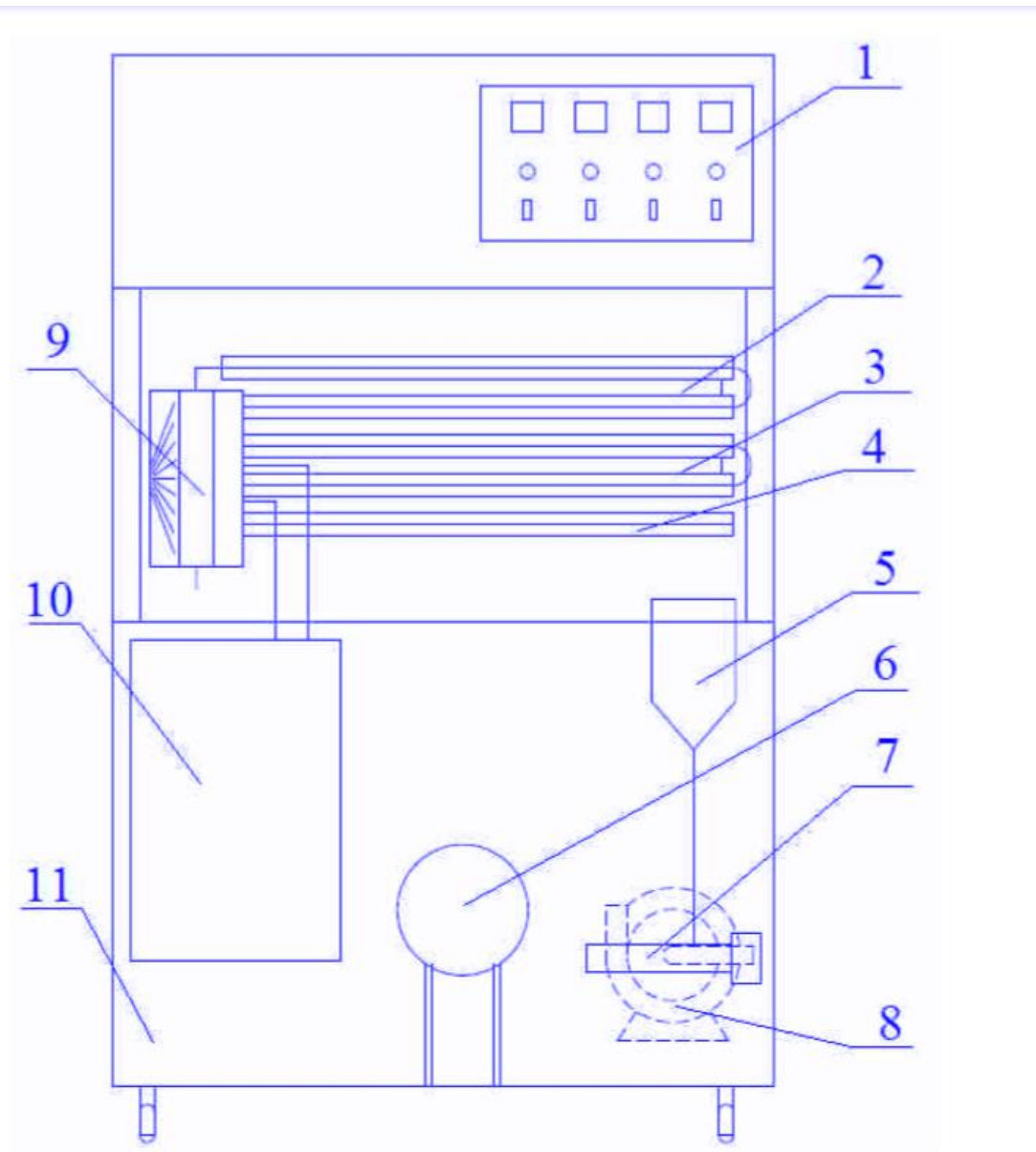


laboratory microwave ultra-high temperature instant sterilization machine LD1902

Features of LD1902 microwave ultra-high temperature instantaneous sterilization machine:

1. The rated capacity is 20-25L / H, the minimum sample processing capacity is 3~5L, which facilitates the preparation of the test process and saves the manpower and material resources for developing new products.
2. Completely simulate industrial production, the experimental data is accurate, it can be directly transplanted to industrial production.
3. PLC control, color LCD touch screen operation, convenient monitoring of the test process.
4. It has a powerful software system, the test method can be saved and called at any time, the test data can be directly sent to the OFFICE system, the sterilization temperature curve and related data can be directly saved to the EXCEL file, facilitating the writing of the paper and the backup of the data.
5. The whole machine is self-contained system, built-in heating boiler and water-cooled ice-cooling device (optional for ice cooling), convenient to use.
6. The experimental process animation demonstration, the test process can be controlled automatically or manually.
7. Built-in screw pump with its own CIP to avoid secondary pollution;
8. No material alarm function and no material screw pump automatically stop running.
9. . Color large touch screen operation, fast mode and normal mode combination:
10. Quick mode: automatic control, one-button boot, animation display operation on the touch screen, display clear operating procedures.
11. Normal mode: manual control, if you need to adjust the process parameters during the experiment, you can easily switch to the manual state.



The structure diagram of microwave ultra-high temperature sterilization machine

1 is the control panel, 2 is the in-situ disinfection cooling device, 3 is the cooling device, 4 is the preheating device, 5 is the material bucket, 6 is the electric heater, 7 is the material pump, 8 is the cleaning pump, 9 is the microwave heating chamber 10 is a microwave generator and 11 is a control cabinet.

Related parameters of LD1902 laboratory microwave ultra-high temperature instantaneous sterilization machine:

Rated capacity	20-25L/H	Maximum temperature	150°C
Minimum sample throughput	3 ~ 5L	Temperature control accuracy	±0.5°C

Outlet temperature	Adjustable	Minimum cooling temperature	5°C
Sterilization mode	Quick mode、normal mode	Sterilization time	3S, 5S, 10S, 30S (optional)
Machine material	Made of high quality stainless steel	Host size	1650(H)*1150(L)*910(W)mm

LD1902 laboratory microwave ultra-high temperature instantaneous sterilization machine adopts microwave heating, the heating speed is fast, the heating material is not easy to be denatured, the heating is uniform, the material is not easy to be gelatinized and the pipe wall is not easy to scale. The device is compact in structure, small in size and convenient in operation, it is suitable for ultra-high temperature instantaneous sterilization process in a laboratory. In the design of sterilization temperature control, the real-time regulation PID constant temperature control technology is adopted to make the temperature control in the whole temperature zone accurate and the sterilization temperature control accuracy is ± 0.5 °C.

Leader Microwave Equipment Company has won the favor of many users with its excellent equipment and warm and perfect service. We are honored by our customers who come from many countries and regions. If you need our LD1902 laboratory microwave ultra-high temperature instantaneous sterilization machine, please contact us at any time